

# C/S Acrovyn® Corner Guards



▲ The County Hospital Hereford (UK)



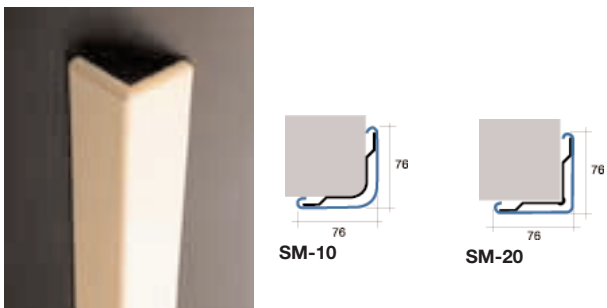
▲ Queen Elizabeth Hospital Woolwich (UK)

C/S **Acrovyn**® Corner Guards are available in full or dado height and in a range of styles and materials including acrylic, stainless steel and rubber.

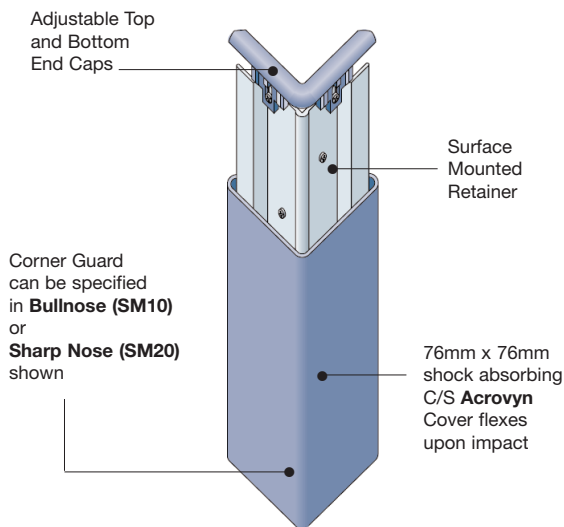
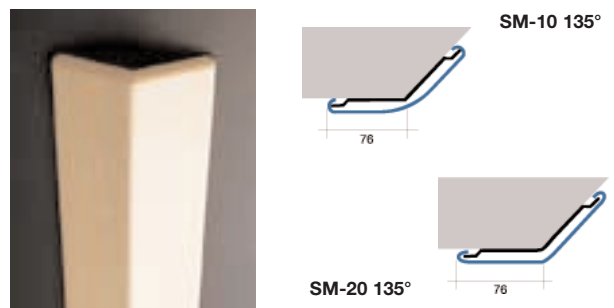
The **SM** and **SSM** models feature our original and unsurpassed free floating, shock absorbing action.

Economy models include the **SCG**, **SCGv** and the clear **LG** corner guard.

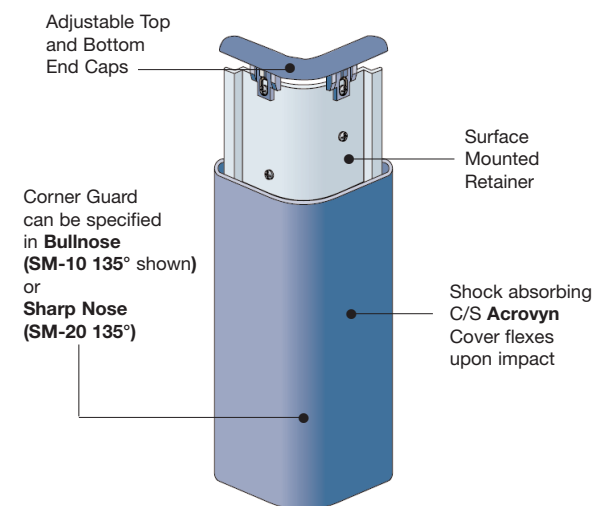
## SM10 and SM20



## SM10 135° and SM20 135°



Fixings @ 400mm centres



Fixings @ 400mm centres



Use the C/S Acrovyn® Colour Chart Pull Out to view our **Standard** and **Semi-standard Colour Chips**



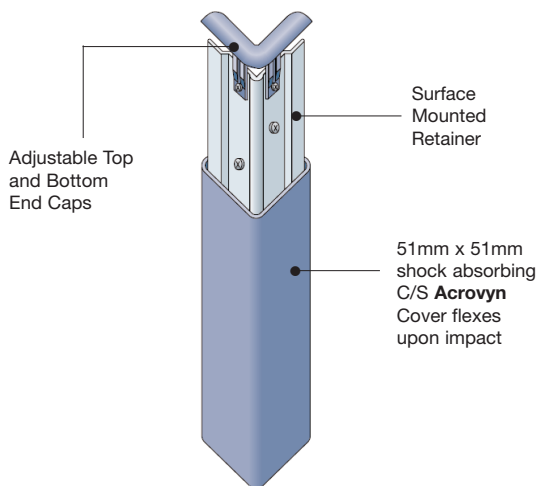
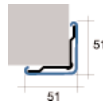
▲ Scarborough Hospital (UK)



▲ Worcestershire Royal Hospital PFI (UK)

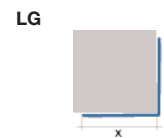
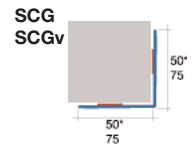
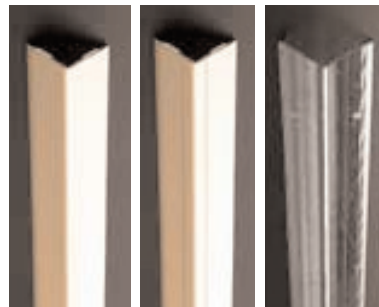


### SSM-20



Fixings @ 400mm centres

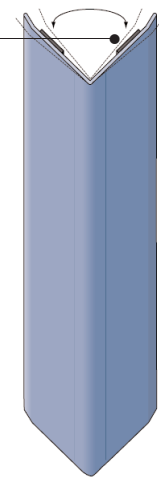
### SCG, SCGv and LG



SCG and SCGv use self adhesive foam tape for mounting

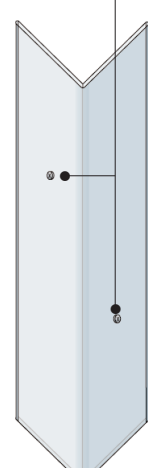


SCG Corner Guard is available in both 50mm and 75mm sizes



SCGv Corner Guard has variable degree flexibility allowing it to contour to any wall\* (currently available in 50mm size only)

Attach to wall using dome head mirror screws



LG Corner Guard is scratch resistant and transparent



Use the C/S Acrovyn® Colour Chart Pull Out to view our Standard and Semi-standard Colour Chips

# C/S Acrovyn® Corner Guards



▲ Fed Ex Distribution Centre Stansted (UK)

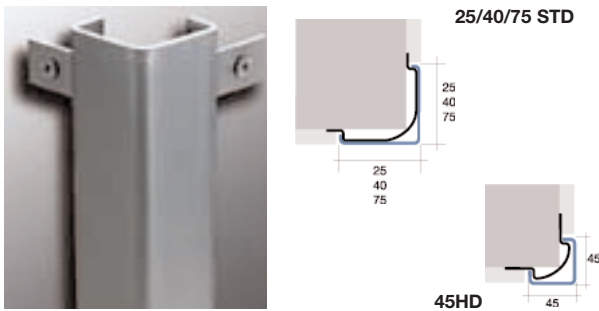


▲ Frenchay Hospital Bristol (UK)

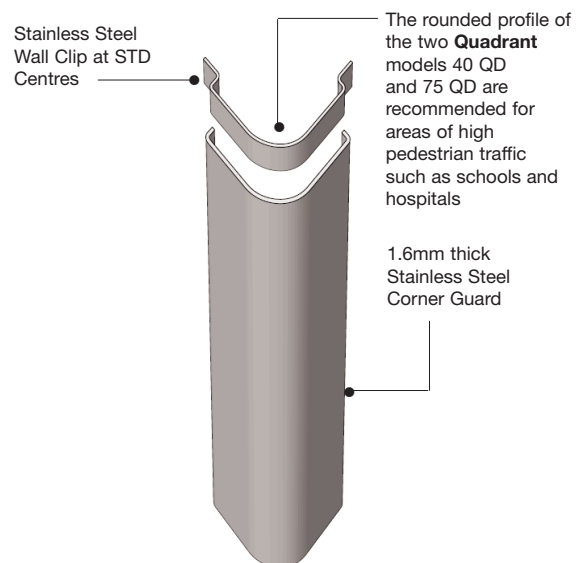
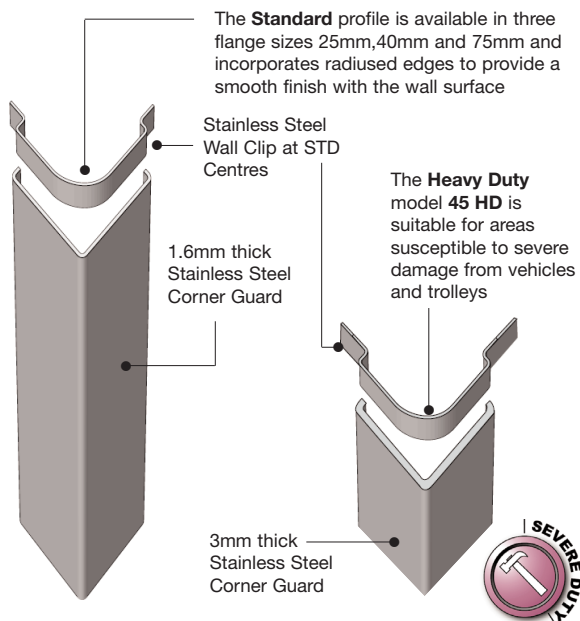
C/S Acrovyn® heavy duty and hygienic corner protection is provided by our range of stainless steel and rubber surface mounted guards.

A simple and economic answer to corner protection which can be installed over already damaged areas to prevent further abuse.

## 25STD, 40STD, 75STD and 45HD



## 40 and 75 QD



# - Stainless Steel and Rubber



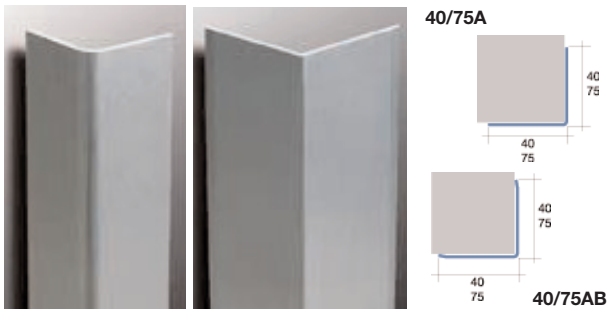
▲ RMC Sandhurst (UK)



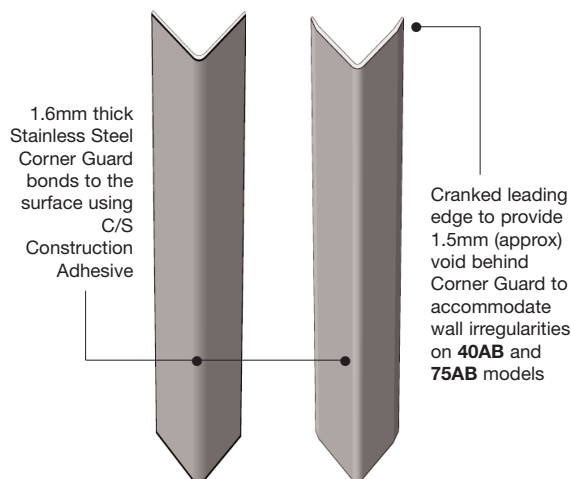
▲ Fed Ex Distribution Centre Stansted (UK)



## 40A, 75A and 40AB, 75AB



## 75 and 100C

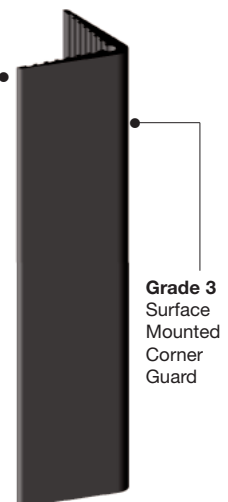


C/S Acrovyn® Stainless Steel Surface Mounted Corner Guards can be installed over already damaged areas to prevent further abuse. They are available in two flange sizes 40mm and 75mm. The AB models have a slightly cranked edge to accommodate wall irregularities. Available as dull polished (standard), other finishes are available to special order.

100 C model is grooved on the internal surface to effect greater adhesion

C/S Acrovyn® Rubber Corner Guards are manufactured from Grade 3 polymer, providing an economic yet robust solution to wall and column damage, especially in car parks and service areas.

They can be mounted to virtually any substrate using C/S Construction Adhesive (or similar product) and/or proprietary fastenings



Grade 3 Surface Mounted Corner Guard